

VIZN

VZ1 Dash Camera



www.vizn.com.au

USER MANUAL

Disclaimer:

1. Please read the set-up and usage instructions carefully.
2. Do not mount/install the dash camera in a position that would obstruct or reduce a driver's view.
3. Do not use or change the dash camera's settings or mode of operation whilst driving.
4. Avoid extended exposure of the dash camera to extreme temperatures (either high or low temperatures) and direct sun exposure, as this may degrade or damage the unit and its normal functionality.
5. Do not expose the dash camera to wet conditions. The dash camera is not waterproof.
6. Use the dash camera in the way it is intended. You should not use the dash camera in a way that would be illegal or that would cause physical damage to the unit or compromise the safe operation of the vehicle.

7. Please periodically check that the dash camera is working correctly, including checking the SD card to ensure the video is correctly recording.
8. SD cards are consumables. The SD card will need to be formatted and replaced after prolonged use.
9. Please regularly clean the dash camera, including lens, to ensure optimum video recordings. Please use only a soft cloth to clean the dash camera. Do not use chemicals or water.
10. The dash camera has audio recording functions. This function can be disabled. Please take the time to set up the camera to your preferences.
11. If you experience any problems with the dash camera, you should immediately contact your place of purchase. Do not alter or tamper with the product. Use only original accessories. Do not open the shell or attempt repairs to the dash camera, this will void any warranty.

12. It is recommended that you remove the power cord if the dash camera is not used for an extended period of time.
13. Please protect the environment and discard the dash camera responsibly.

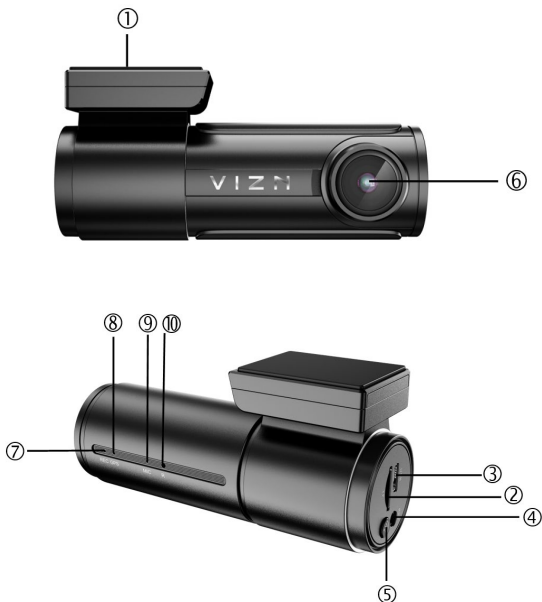
Contents

1.	Quick start guide.....	- 5 -
2.	Camera overview.....	- 6 -
2.1.	Functions.....	- 7 -
2.2.	Indicator lights.....	- 8 -
3.	Product Specifications.....	- 8 -
4.	Product Installation Guide.....	- 11 -
4.1.	Front camera installation	- 11 -
4.2.	Rear camera installation (if applicable).....	- 13 -
4.3.	After installation	- 14 -
5.	App Operating Instructions	- 15 -
5.1.	Android system mobile phone	- 15 -
5.2.	iOS system Apple phone	- 15 -
5.3.	WiFi Connection	- 16 -
6.	FAQs / troubleshooting.....	- 18 -

1. Quick start guide

1. Ensure the vehicle engine is turned off.
2. Insert the SD card.
3. Mount front and rear (if applicable) dash camera/s to windshield/s.
4. Install 12V socket wiring (or hardwire kit, if applicable) and connect wiring to camera/s as per user manual.
5. Download the VIZN Dashcam app.
6. Connect to camera WiFi and open the VIZN Dashcam app (we recommend turning off auto join for WiFi).
7. Using live view on the app, adjust the lens position of the dash camera/s to ensure the lens is level with the ground.
8. Format the SD card.

2. Camera overview



- ① Adhesive holder with adhesive attached
- ② SD card slot
- ③ Micro USB port

- ④ AV-IN (rear camera)
- ⑤ WiFi switch + WiFi indicator light (blue)
- ⑥ Front camera
- ⑦ Power / video indicator light (red)
- ⑧ GPS status light (green)
- ⑨ Microphone
- ⑩ Reset

2.1. Functions

Function	Instruction
Turn on/off WiFi	Press the WiFi button for 3 seconds to turn on/off WiFi
Format SD card	Press the WiFi button for 10 seconds to format the SD card
Change the WiFi bands	Double press the WiFi button quickly to change the WiFi bands between 2.4G and 5G

2.2. Indicator lights

- ⑤ WiFi indicator light (blue): the blue light will be on when WiFi is on, the blue light will be off when WiFi is off.
- ⑦ Power/video indicator light (red): the red light will flash when the dash camera is recording.
- ⑧ GPS status light (green): the green light will be on if GPS is working.

3. Product Specifications

CPU	Hi3556V200
Sensor	Front: Sony IMX335
Screen	No Screen
Video Resolution	TWO CAMERAS <i>Default:</i> Front 2K2560*1440 30FPS + Rear HD 1920*1080P 30FPS <i>Option:</i>

	Front HD 1920*1080P 30FPS + Rear HD1920*1080P 25FPS ONE CAMERA <i>Default:</i> 2K 2560x1440 30FPS <i>Option:</i> HD 1920*1080P 30FPS
Viewing Angle	146°+130°
Video Format	MP4/H.265
Photo Resolution	4M
Photo Format	JPG
GPS	Supported, built in GPS
WiFi	Supported, Dual Band (2.4G and 5G)
App	VIZN Dashcam
Loop recording	Supported
G-sensor	Supported
Car Plate	Supported

WDR	Supported
Parking mode	Supported
Memory Card	Max to 128GB
Battery	Super Capacitor
Interface	SD card, Mini USB, AV-IN
Operation Temperature	-20°C~60°C
Storage Temperature	-30°C~70°C
Language	Multi-language
Standard Accessories	Car charger (3.5m), Micro USB cable (0.8m), spare adhesive, pry tool, cable holders x 5
Optional Accessories	Hardwire kit, rear dash camera, SD card (including card reader)
Unit Size/Weight	98*30*44mm

4. Product Installation Guide

1. Ensure the vehicle engine is turned off.
2. Gently insert the SD card into the dash camera's SD card slot (if the camera did not come pre-installed with an SD card).

【Attention】 Please use a high-speed SD card (Class10 or above, capacity is not less than 8GB, max to 128GB).

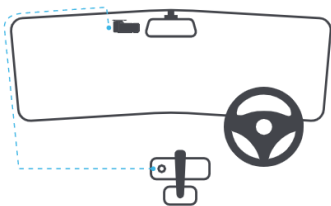
4.1. Front camera installation

1. Mount the dash camera to the inside of the vehicle's front windshield using the included adhesive. The area near the rear-view mirror is recommended.

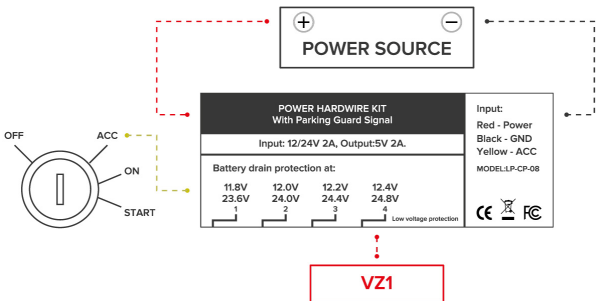
【Attention】 Pay attention to the orientation of the dash camera when mounting so that your video recordings are level.

2. Insert the car charger into your vehicle's 12V socket. It is recommended to route the cable from the 12V socket to the dash camera covertly (such as along the edge of your

windshield) using the provided cable holders to avoid visual obstruction while driving.



3. If you ordered a hardwire kit with your dash camera, we recommend having the dash camera installed by an auto electrician. A hardwire installation guide is available on our website at vizn.com.au.



4. Gently insert the dash camera Micro USB plug into the dash camera.

4.2. Rear camera installation (if applicable)

1. Mount the dash camera to the inside of the vehicle's rear windshield. The area near the top middle section is recommended.

【Attention】 Pay attention to the orientation of the dash camera when mounting so that your video recordings are level.

2. When installing the rear dash camera wiring running from the front dash camera to the rear dash camera, it can be pushed between the roof lining and the roof for covert installation.
3. Gently connect the rear plug into the rear camera and the AV plug into the front dash camera (ensure rear camera cable clicks into place).

【Attention】 It is recommended to tape the rear plug with electrical tape. Ensure enough slack is present to allow the

boot to open and close as applicable.

4.3. After installation

1. Start the engine to power up the dash camera and ensure functionality. Please connect to the app (instructions below) and use the live camera view to ensure the front and rear (if applicable) cameras are aligned correctly. Adjust the lens position by rotating the body of the camera to ensure that the lens is level with the ground.
2. Format the SD card as noted above under “Functions” or via the settings in the app.

【Attention】 It is recommended to reformat the SD card every two months to ensure optimal recording. Ensure any video recordings that you want are downloaded to your phone prior to reformatting the SD card, as reformatting the SD card will remove any recordings. As the SD card is a consumable product, it will need to be replaced after prolonged use.

5. App Operating Instructions

5.1. Android system mobile phone

Open the “Google Play Store” search “VIZN Dashcam” to download and install the app. Alternatively, scan the below QR Code and follow the instructions.



5.2. iOS system Apple phone

Open the “Apple Store” search “VIZN Dashcam” to download and install the app.



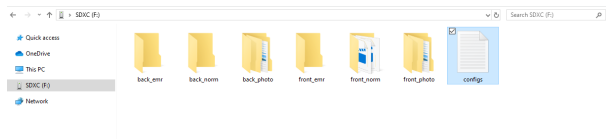
【Attention】 For a complete VIZN Dashcam App User Manual, please visit www.vizn.com.au/dashcam and select your model to download.

5.3. WiFi Connection

1. Once you have downloaded the VIZN Dashcam app, open your smartphone WiFi settings and select Dash Cam Network: VIZN-VZ1_[xxx].
2. Use password 12345678 to connect.
3. Once connected, open the VIZN Dashcam app to see live video, change camera settings, download captured footage and photos, and track your journey.

【Attention】 Forgotten your WiFi password? Remove the SD

card from the camera and insert it into a PC using a card reader. Open the files and select “configs”. Here you will find the password details.



```
MODE:VIZN-VZ1
```

```
SoftVersion:1.0.0.0.20220506
```

```
KERNEL:linux-4.9.y
```

```
GSENSOR:X=-159:Y=11:Z=160
```

```
AHD:1
```

```
MEDIAMODE:Unknown
```

```
WIFI-SSID:VIZN-VZ1_3A6544
```

```
WIFI-PWD:12345678
```

```
WIFI-MODE:a
```

```
WIFI-CHANNEL:36
```

6. FAQs / troubleshooting

For troubleshooting, FAQs and the most up-to-date user manual, please visit www.vizn.com.au/dashcam or email info@vizn.com.au.